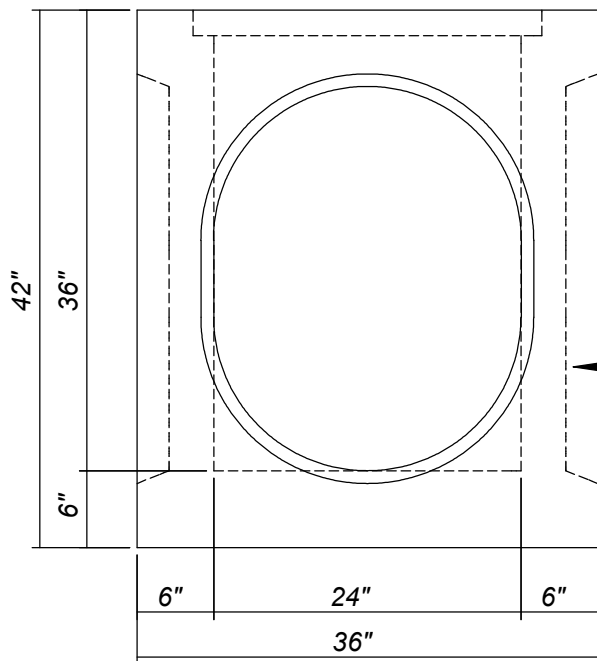
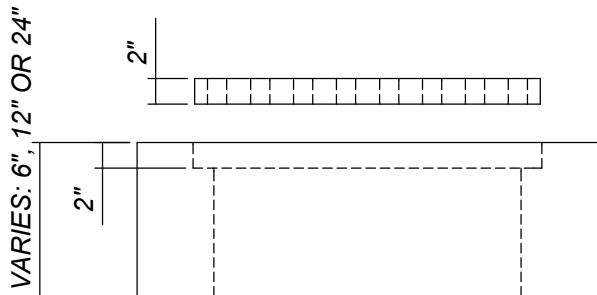
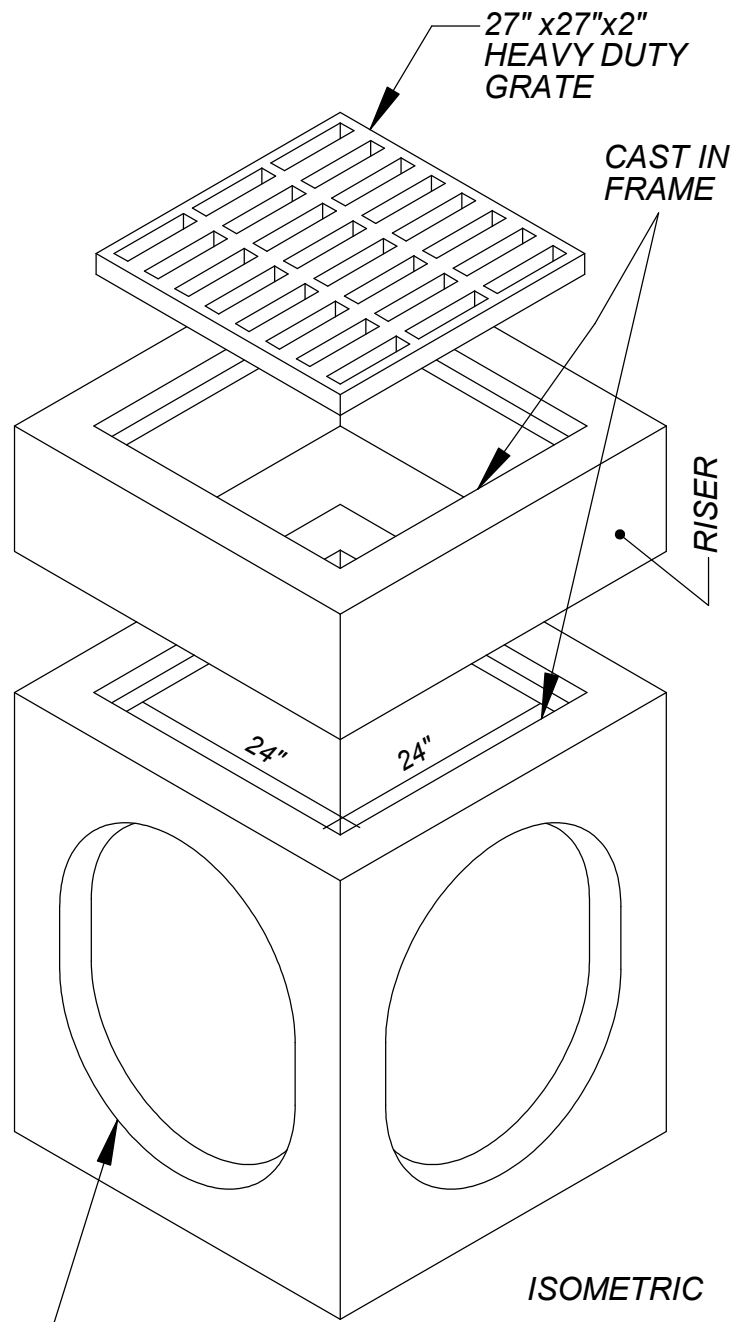


PLAN



ELEVATION



THIN WALL KNOCK OUTS FOR 18" R.C.P. TYPICAL ALL WALLS

NOTE: GRADE 60 REINFORCEMENT  
4500 PSI CONCRETE  
H 20 LOADING