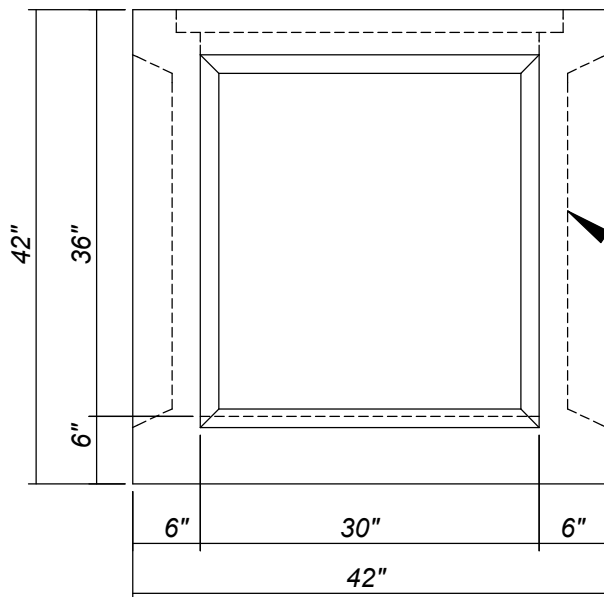
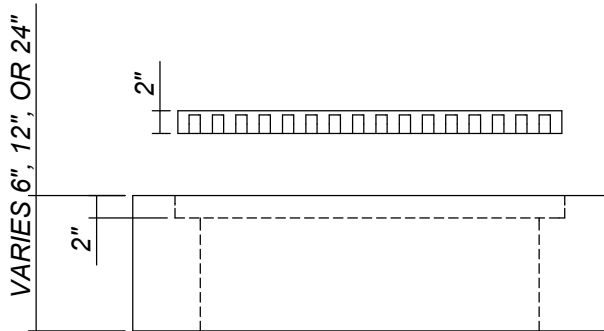
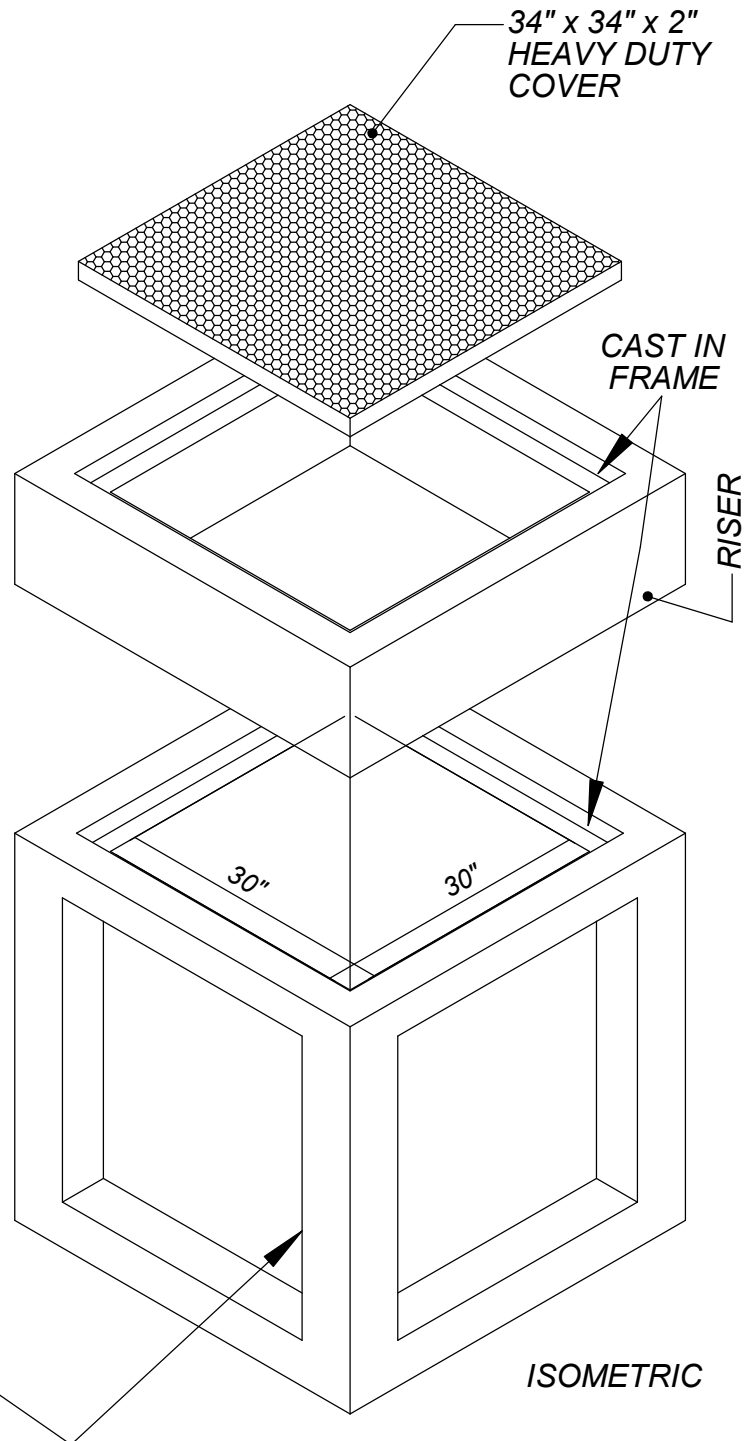


PLAN



ELEVATION



34" x 34" x 2"
HEAVY DUTY
COVER

CAST IN
FRAME

RISER

ISOMETRIC

THIN WALL KNOCK OUT
FOR 24" RCP TYPICAL ALL WALLS

NOTE: GRADE 60 REINFORCEMENT
4500 PSI CONCRETE
H 20 LOADING

South Houston Concrete Pipe Company, Inc.

www.shcponline.com Phone: (281)484-7000 Fax: (281)484-7005

**30" x 30" x 36"
JUNCTION BOX**

828 OLD GENOA RED BLUFF - HOUSTON, TX 77034 -P.O. BOX 101 SOUTH HOUSTON, TX 77587