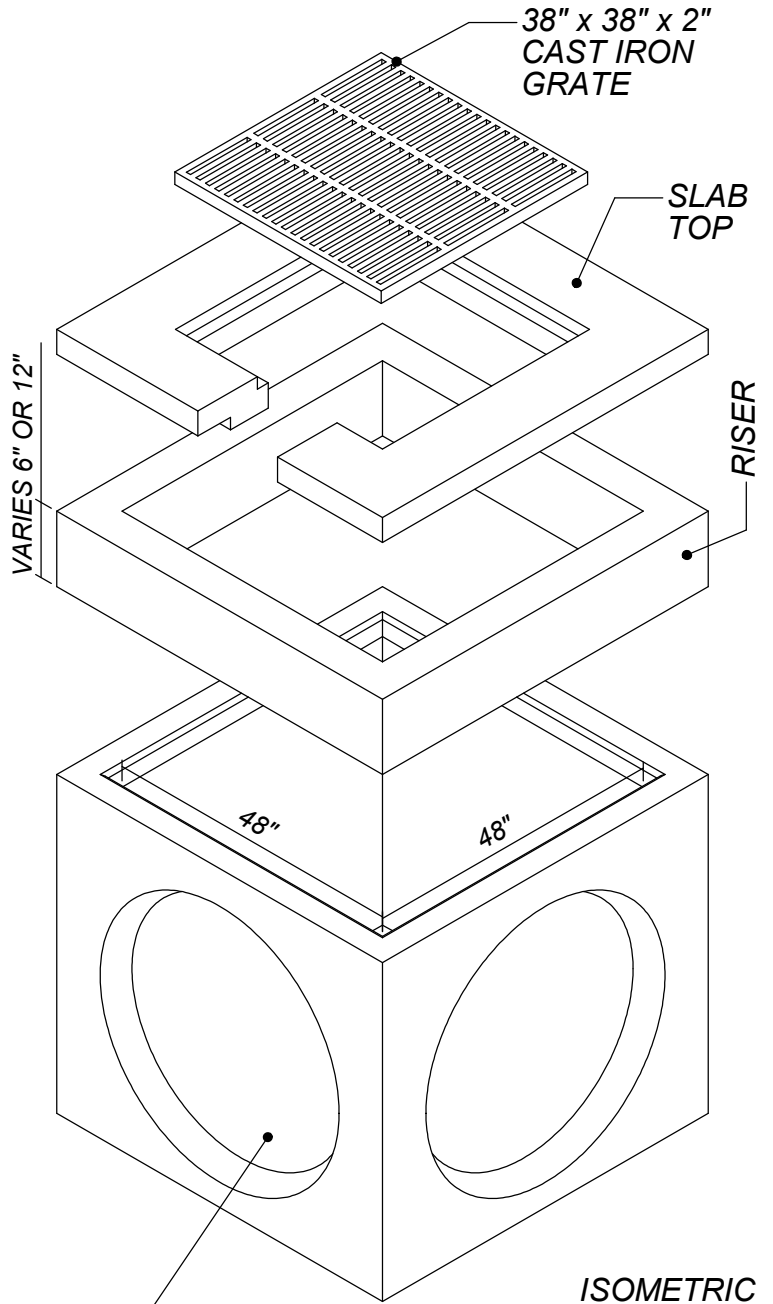


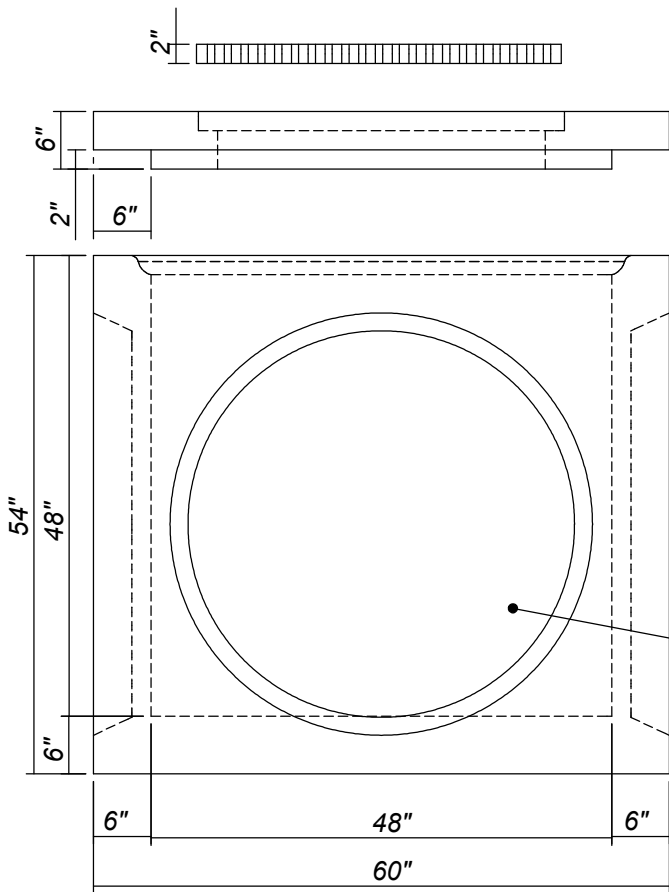
PLAN



ISOMETRIC

THIN WALL KNOCK OUT  
FOR 36" RCP  
TYPICAL ALL WALLS

NOTE: GRADE 60 REINFORCEMENT  
4500 PSI CONCRETE  
H2O LOADING



ELEVATION

*South Houston* Concrete Pipe Company, Inc.

www.shcponline.com Phone: (281)484-7000 Fax: (281)484-7005

**48" X 48" X 54"  
CATCH BASIN**