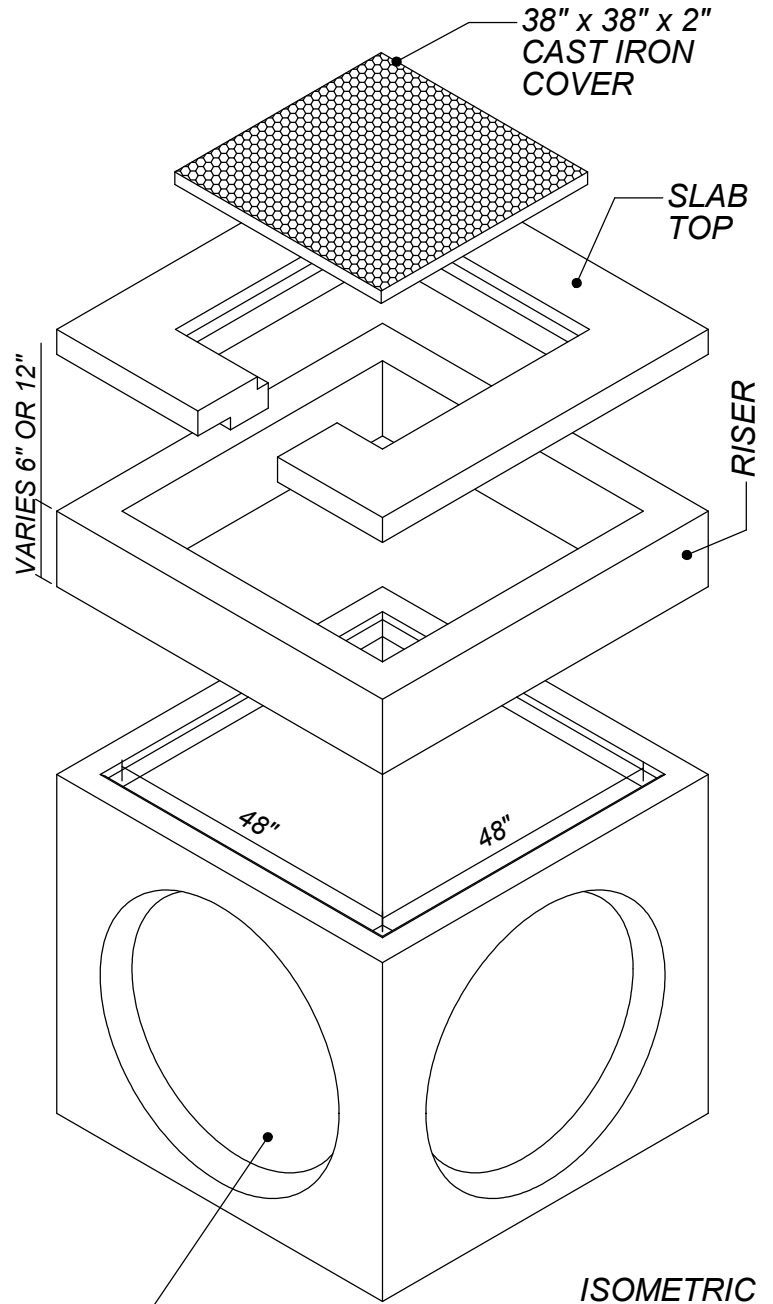


PLAN



NOTE: GRADE 60 REINFORCEMENT  
4500 PSI CONCRETE  
H2O LOADING

