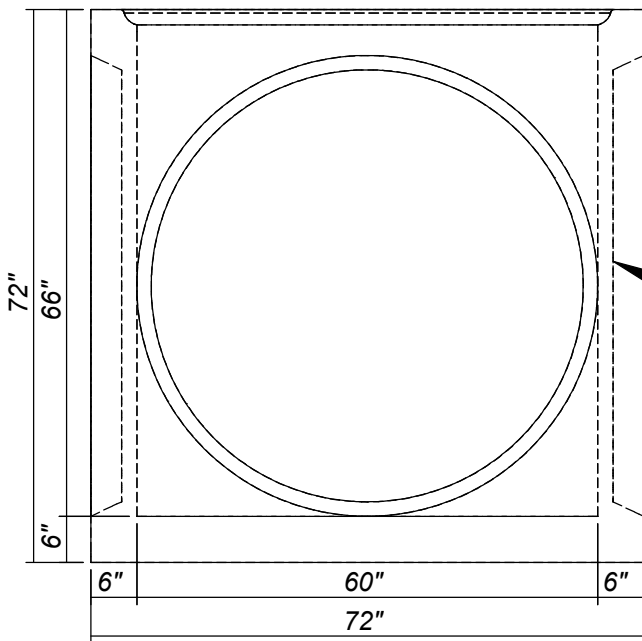
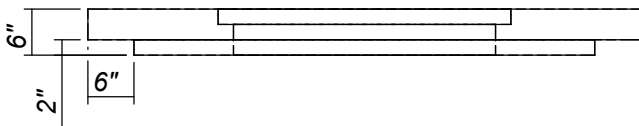
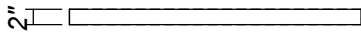
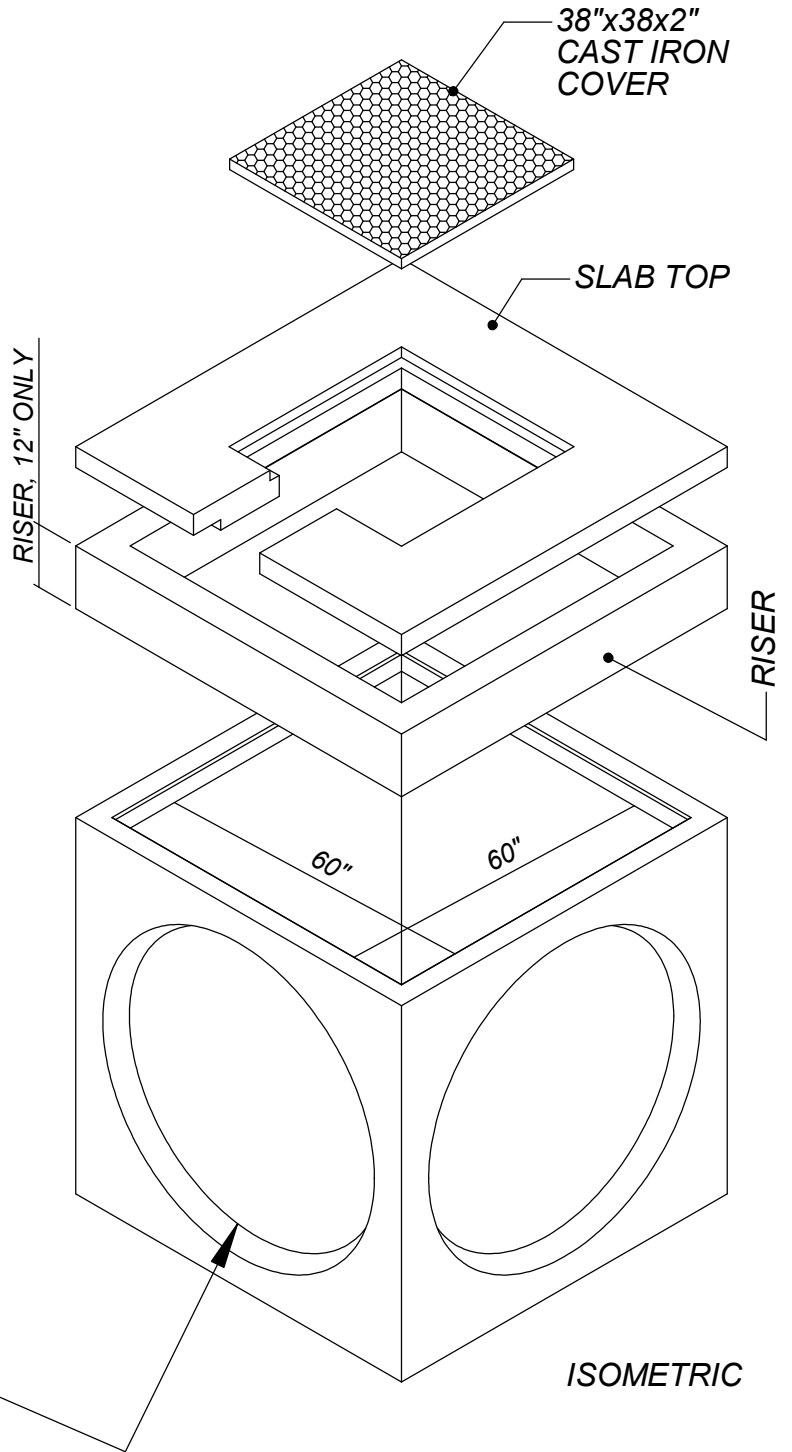


PLAN



ELEVATION



THIN WALL KNOCK OUT  
FOR 48" RCP  
TYPICALL ALL WALLS

NOTE: GRADE 60 REINFORCEMENT  
4500 PSI CONCRETE  
H2O LOADING

*South Houston* Concrete Pipe Company, Inc.

www.shcponline.com Phone: (281)484-7000 Fax: (281)484-7005

**60" X 60" X 72"  
JUNCTION BOX**

828 OLD GENOA RED BLUFF - HOUSTON, TX 77034 -P.O. BOX 101 SOUTH HOUSTON, TX 77587