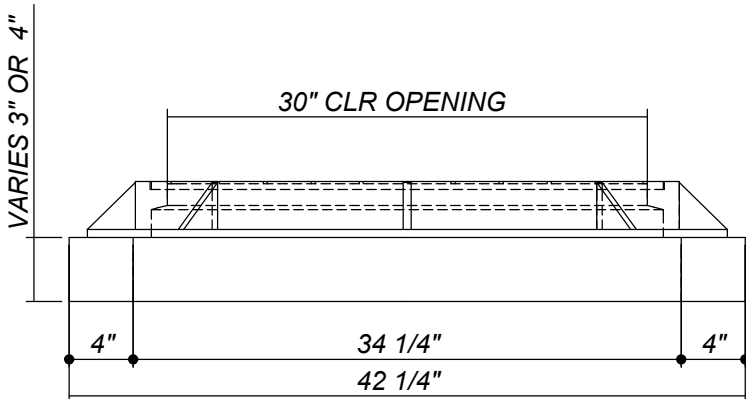
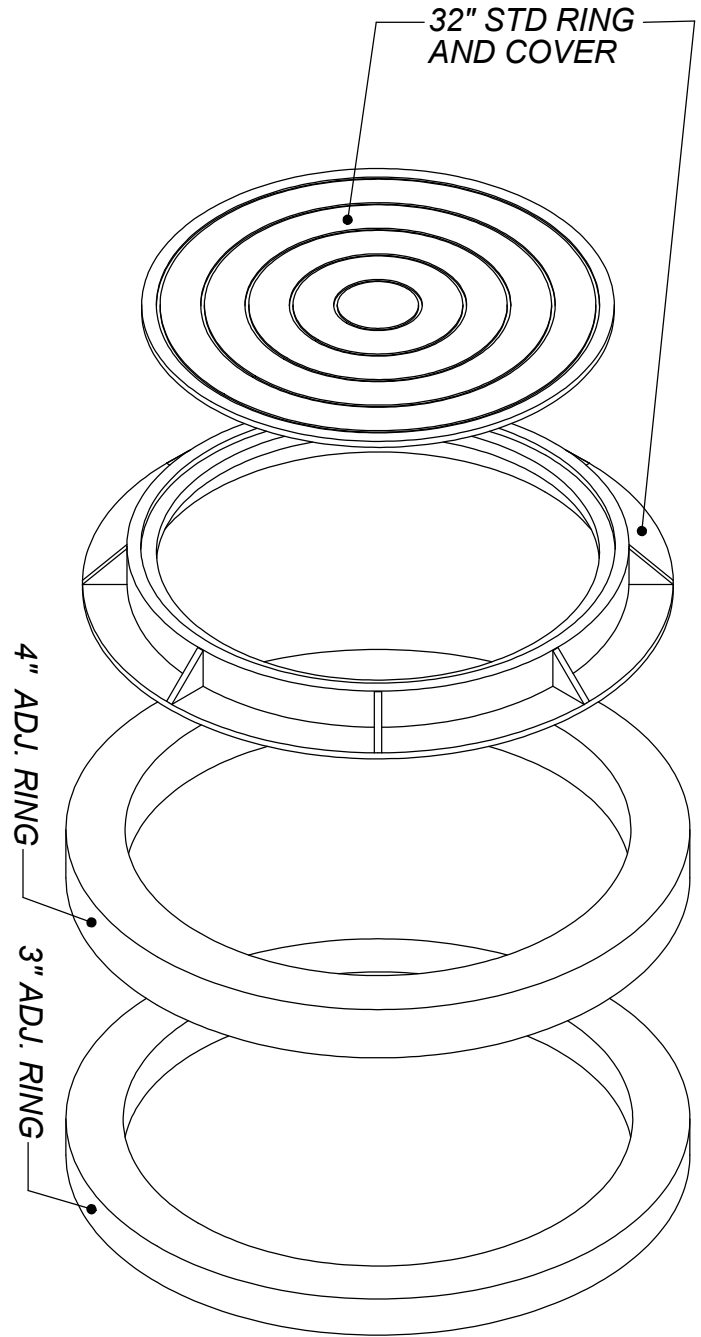


PLAN



ELEVATION



ISOMETRIC

NOTE: GRADE 60 REINFORCEMENT  
 4500 PSI CONCRETE  
 H2O LOADING