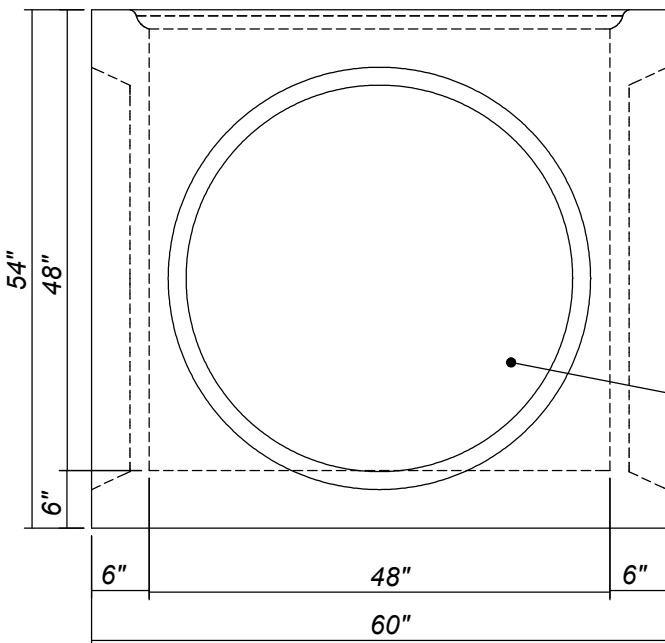
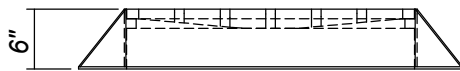
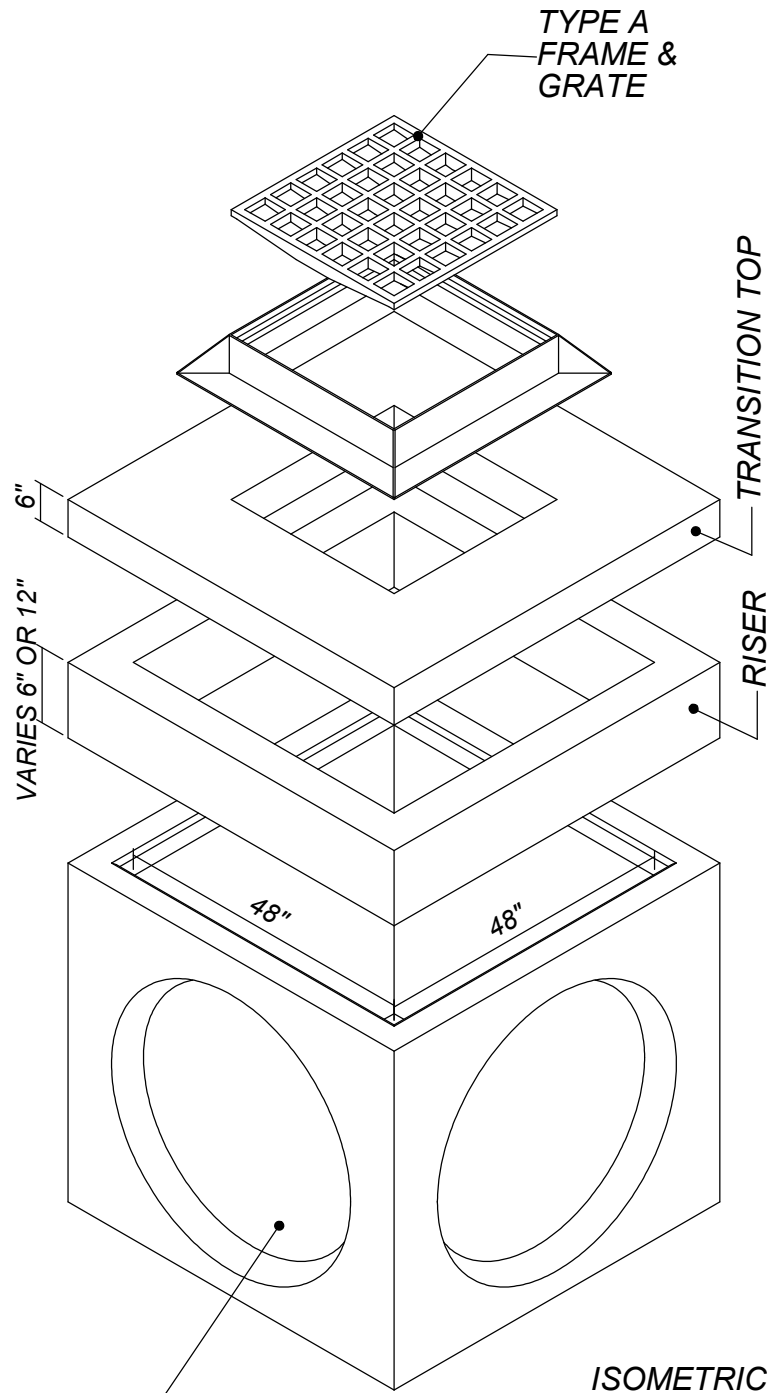


PLAN



ELEVATION



ISOMETRIC

THIN WALL KNOCK OUT
FOR 36" RCP
TYPICAL ALL WALLS

NOTE: GRADE 60 REINFORCEMENT
4500 PSI CONCRETE
H2O LOADING

South Houston Concrete Pipe Company, Inc.

www.shcponline.com Phone: (281)484-7000 Fax: (281)484-7005

**MODIFIED TYPE A
48" X 48"**

828 OLD GENOA RED BLUFF - HOUSTON, TX 77034 -P.O. BOX 101 SOUTH HOUSTON, TX 77587