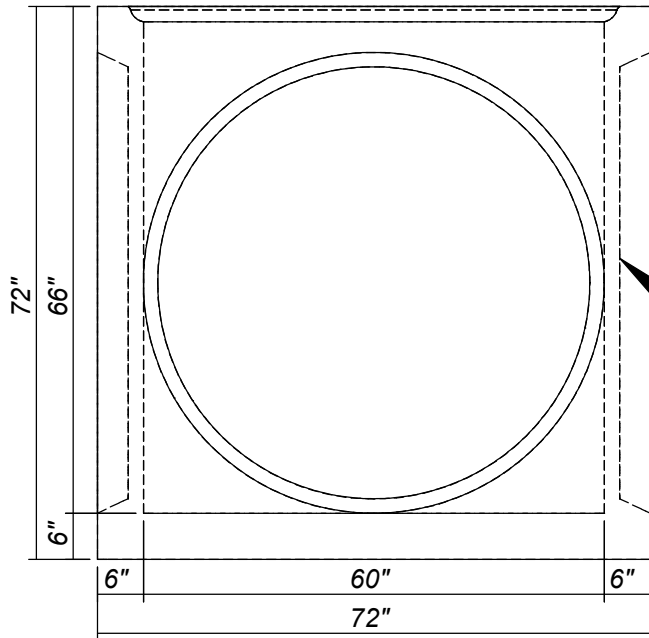
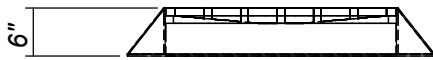
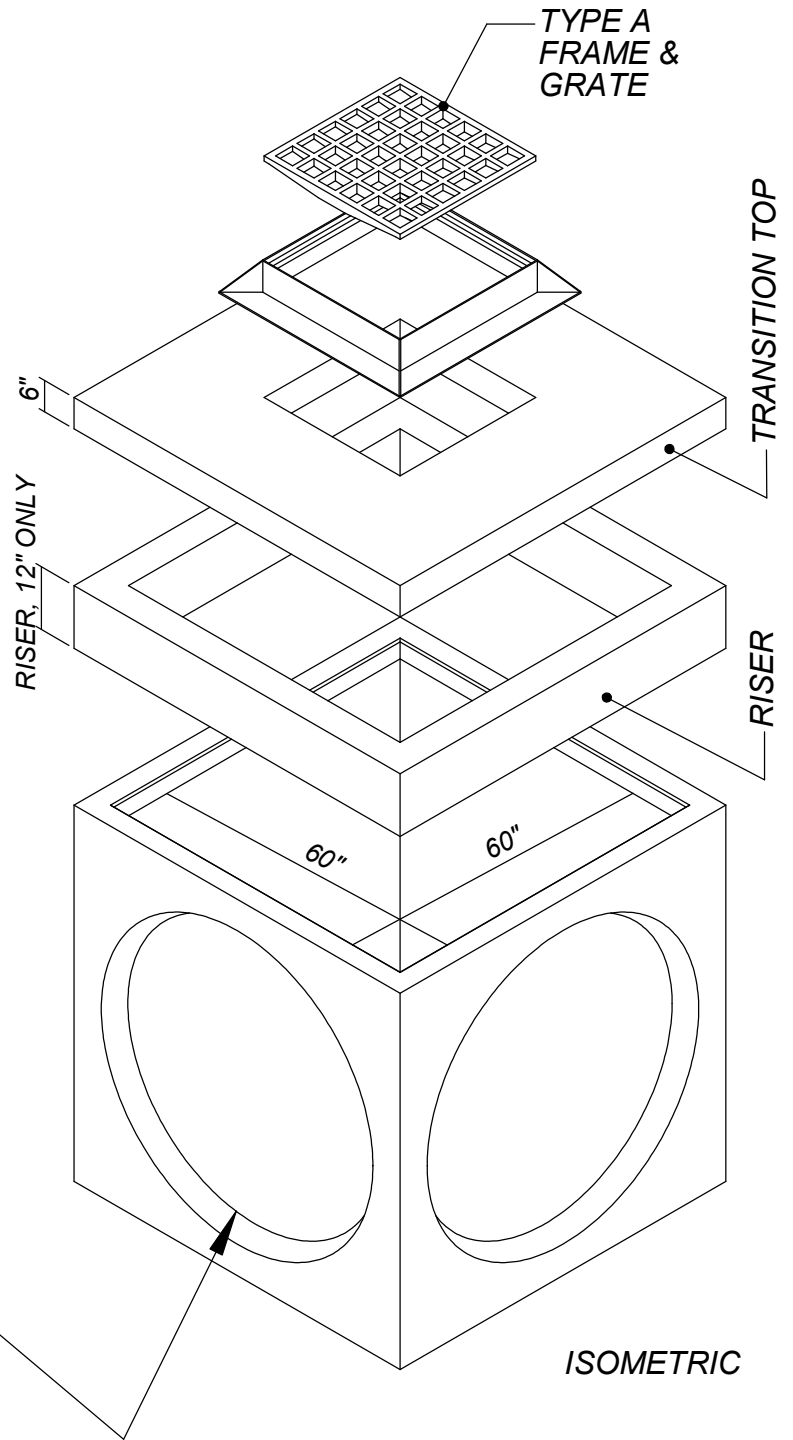


PLAN



ELEVATION



ISOMETRIC

THIN WALL KNOCK OUT  
FOR 48" RCP  
TYPICALL ALL WALLS

NOTE: GRADE 60 REINFORCEMENT  
4500 PSI CONCRETE  
H20 LOADING