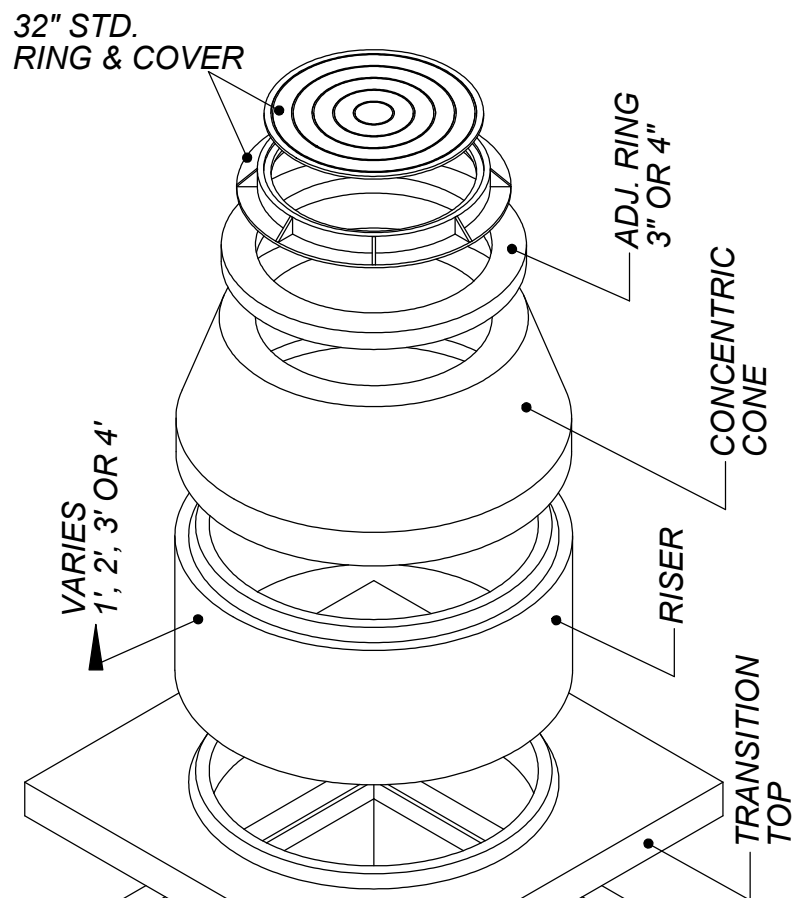
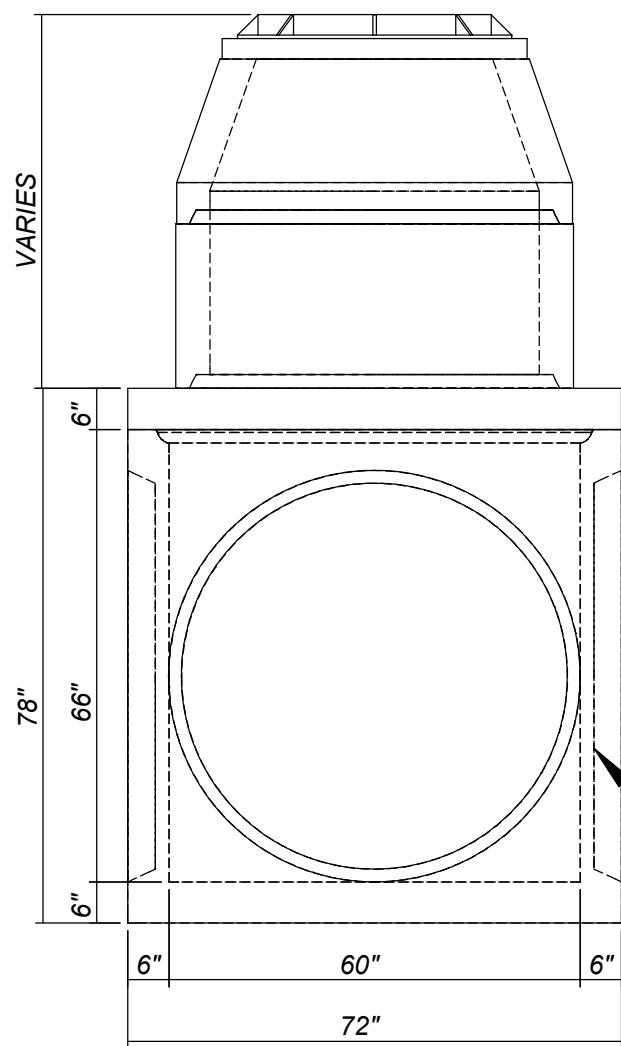


PLAN



ISOMETRIC



ELEVATION

KNOCK OUTS FOR 48" RCP
TYPICAL ALL WALLS

NOTE: GRADE 60 REINFORCEMENT
4500 PSI CONCRETE
H2O LOADING