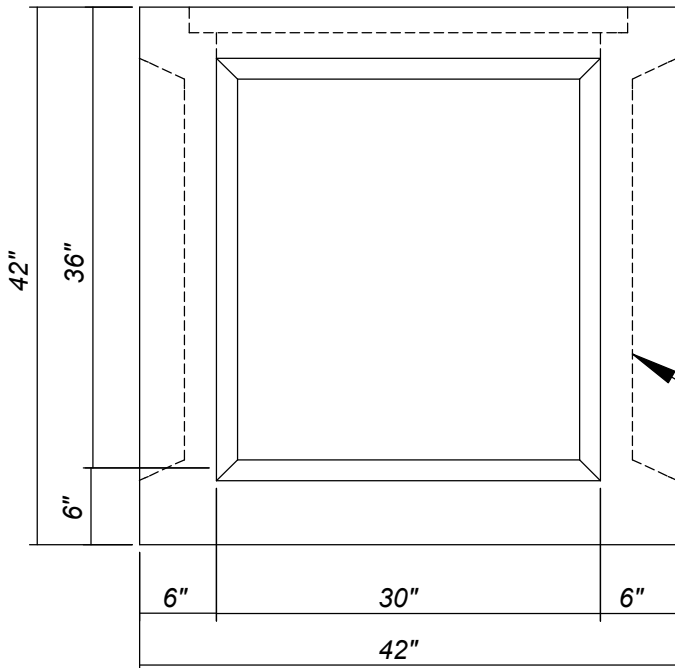
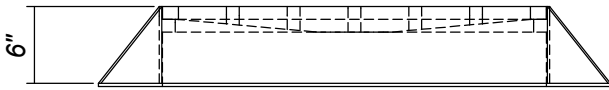
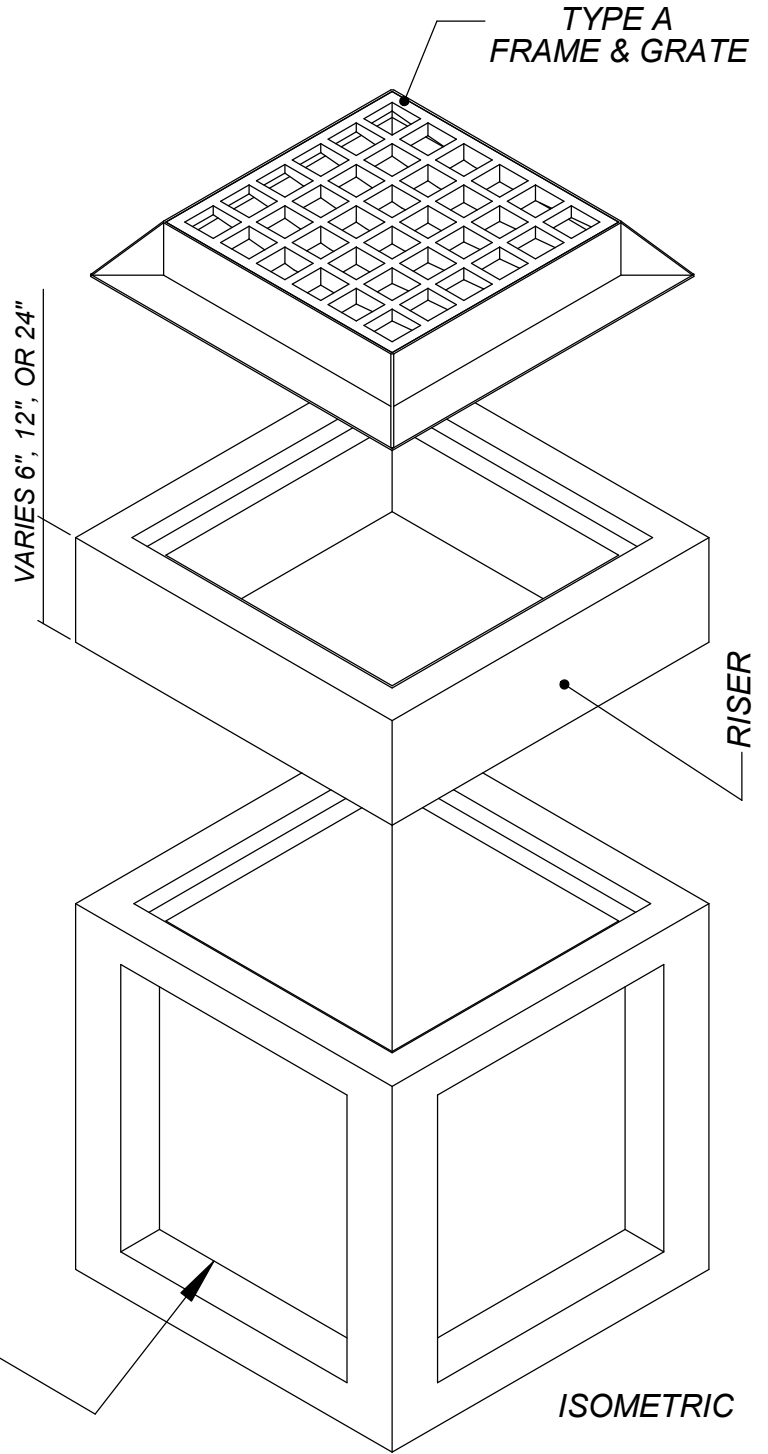


PLAN



ELEVATION



ISOMETRIC

THIN WALL KNOCK OUT
FOR 24" RCP
TYPICAL EACH WALL

NOTE: GRADE 60 REINFORCEMENT
4500 PSI CONCRETE
H2O LOADING

South Houston Concrete Pipe Company, Inc.

www.shcponline.com Phone: (281)484-7000 Fax: (281)484-7005

TYPE A INLET
30" x 30"

828 OLD GENOA RED BLUFF - HOUSTON, TX 77034 - P.O. BOX 101 SOUTH HOUSTON, TX 77587