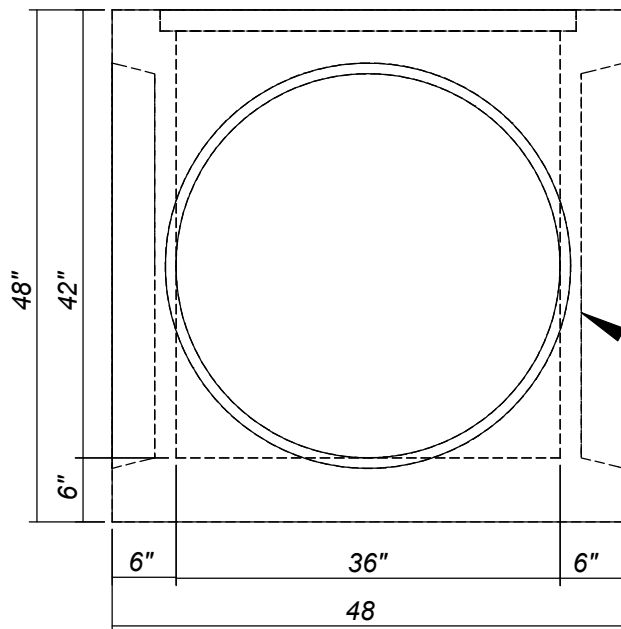
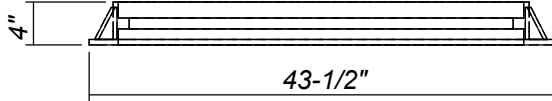
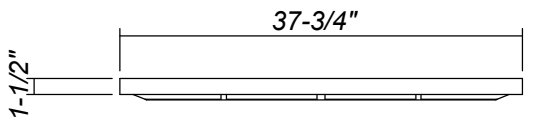
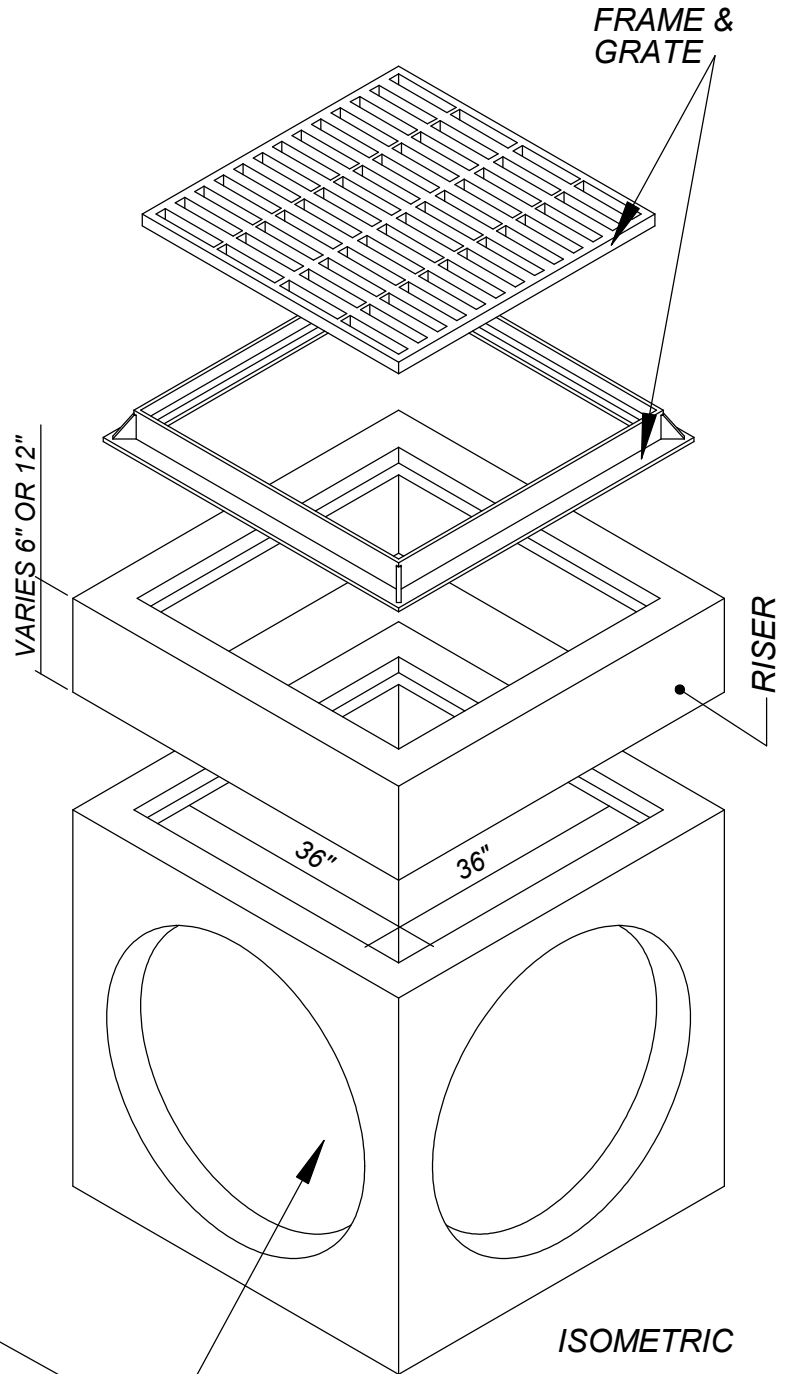


PLAN



ELEVATION



ISOMETRIC

THIN WALL KNOCK OUT FOR 24" RCP TYPICAL ALL WALLS

NOTE: GRADE 60 REINFORCEMENT
4500 PSI CONCRETE
H20 LOADING