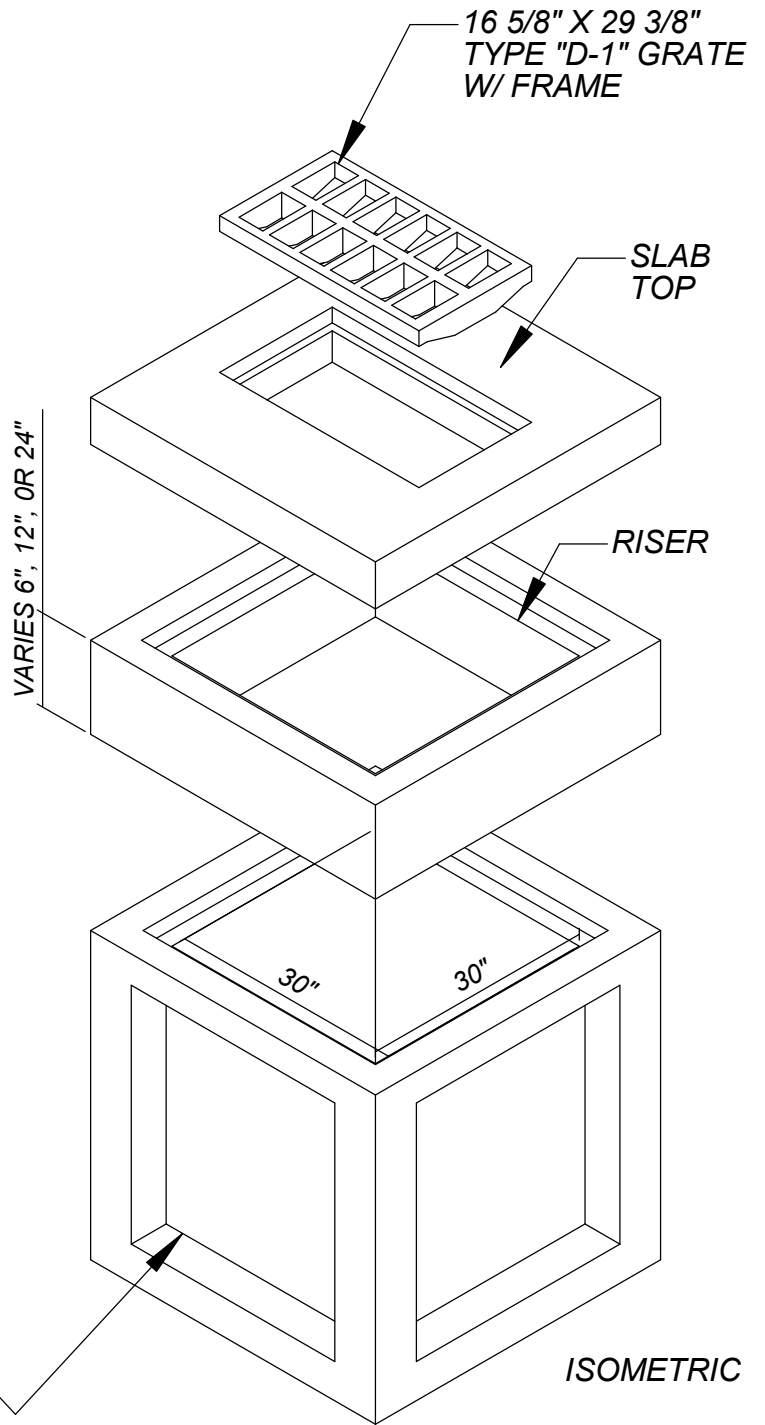
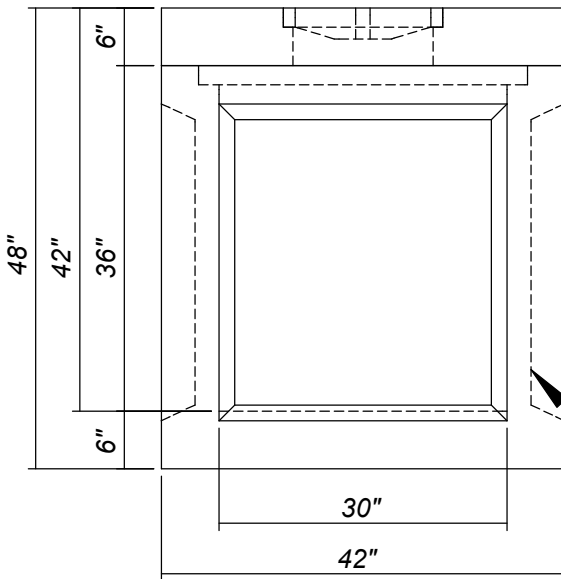


PLAN



ISOMETRIC



ELEVATION

THIN WALL KNOCK
OUTS FOR 24" RCP
TYP ALL WALLS

NOTE: GRADE 60 REINFORCEMENT
4500 PSI CONCRETE
H2O LOADING