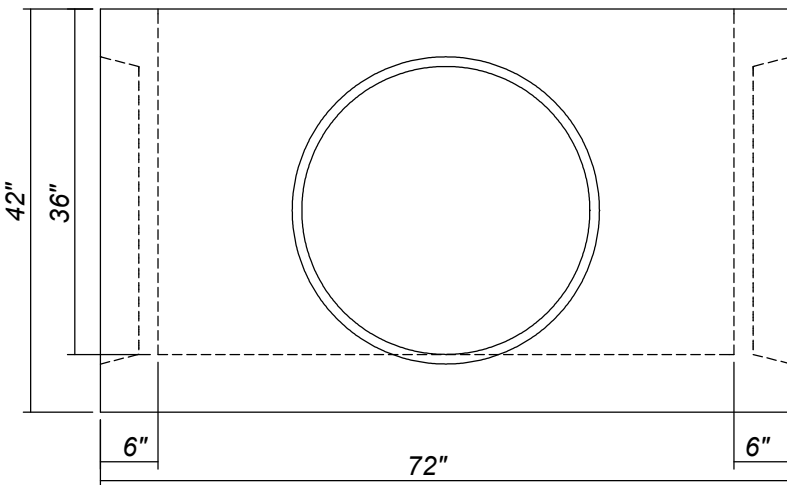
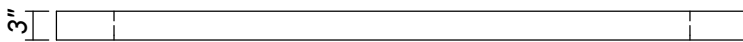
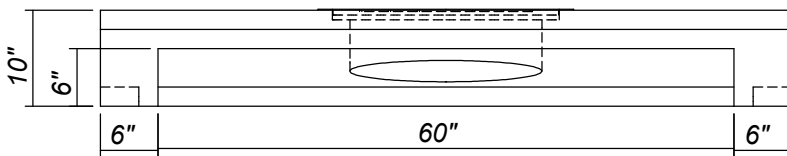
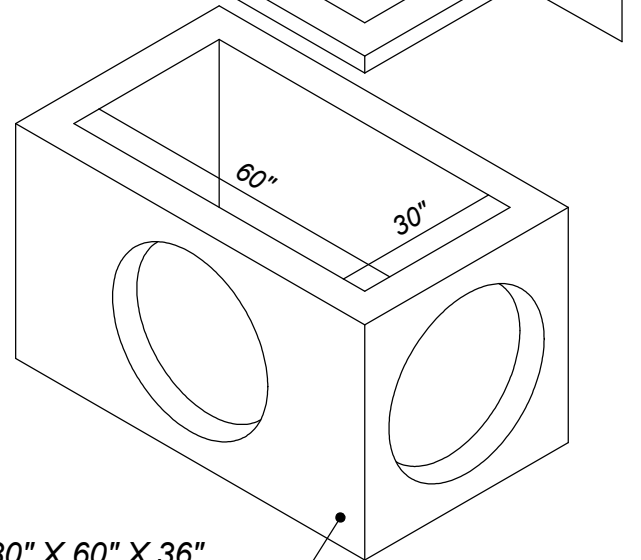
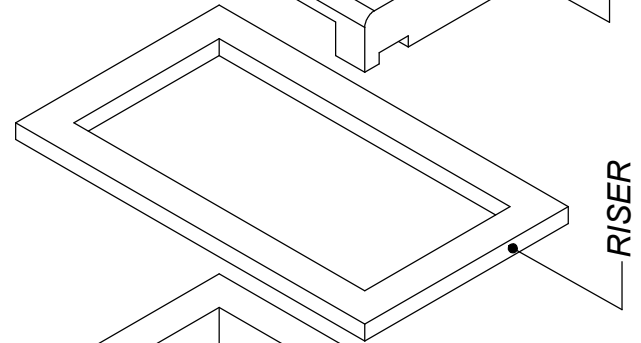
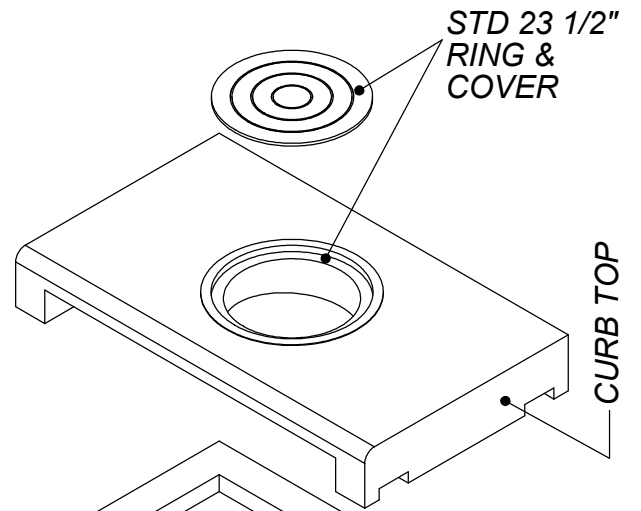


PLAN



ELEVATION



30" X 60" X 36"  
6" THK WALLS  
KNOCK OUT  
FOR 24" RCP

ISOMETRIC

NOTE: GRADE 60 REINFORCEMENT  
4500 PSI CONCRETE  
H2O LOADING