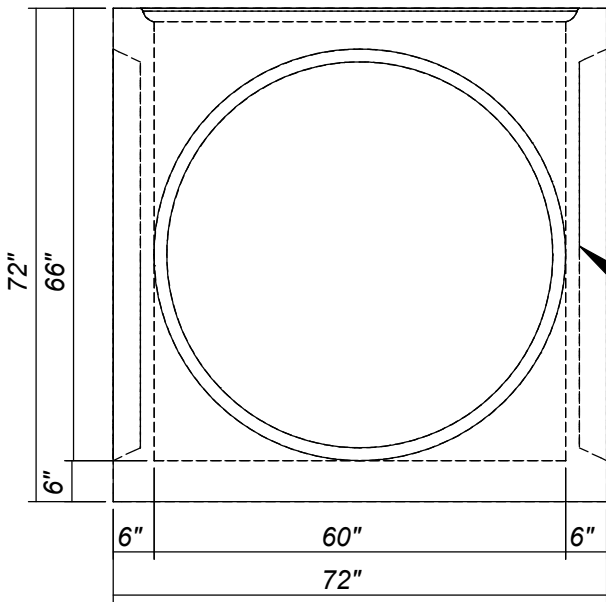
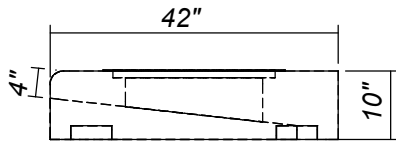
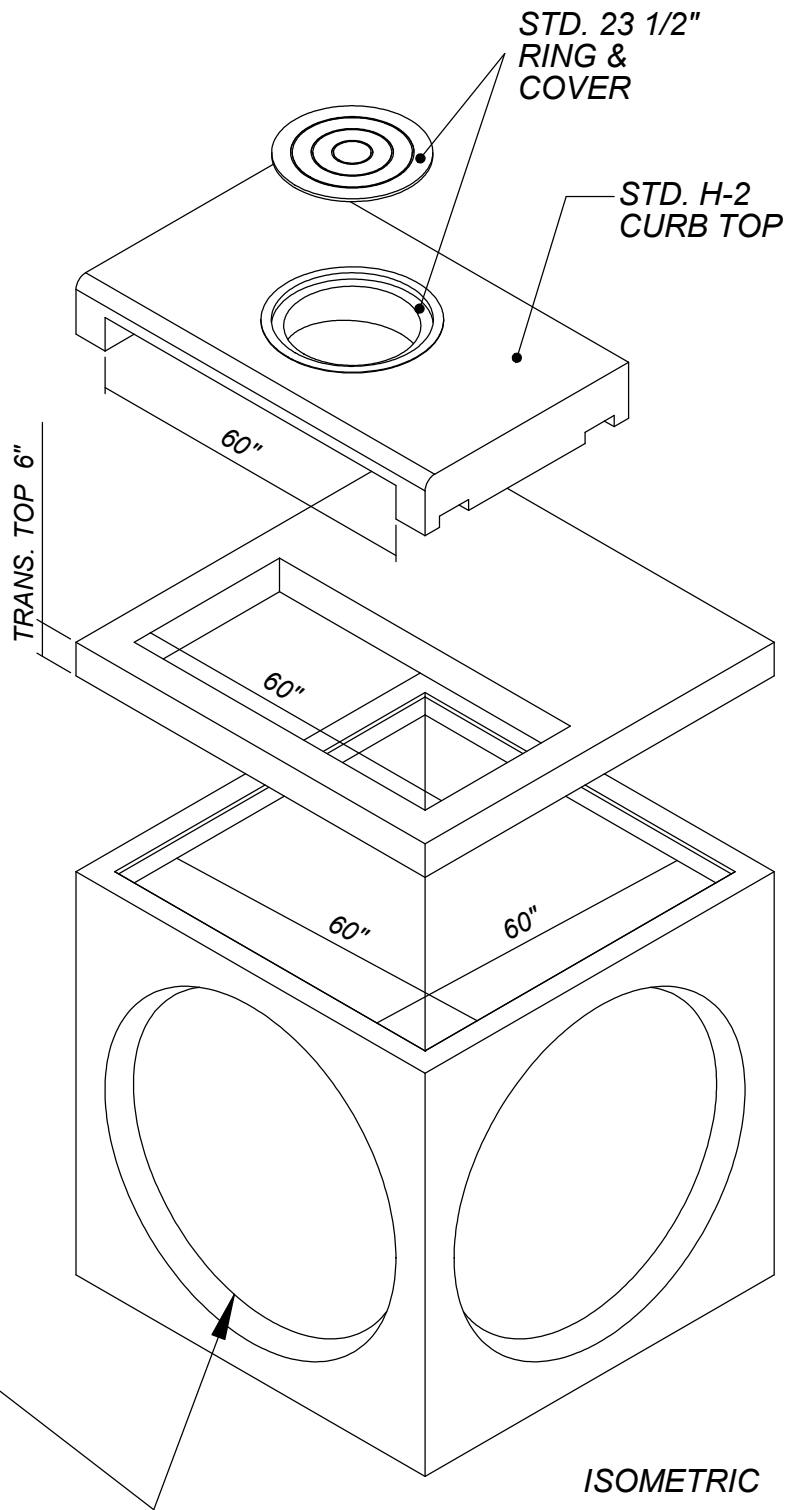


PLAN



ELEVATION



ISOMETRIC

THIN WALL KNOCK OUT FOR 48" RCP
TYPICALL ALL WALLS

NOTE: GRADE 60 REINFORCEMENT
4500 PSI CONCRETE
H20 LOADING

South Houston Concrete Pipe Company, Inc.

www.shcponline.com Phone: (281)484-7000 Fax: (281)484-7005

60"x60"
MODIFIED H-2 CURB INLET

828 GENOA RED BLUFF - HOUSTON, TX 77034 -P.O. BOX 101 SOUTH HOUSTON, TX 77587