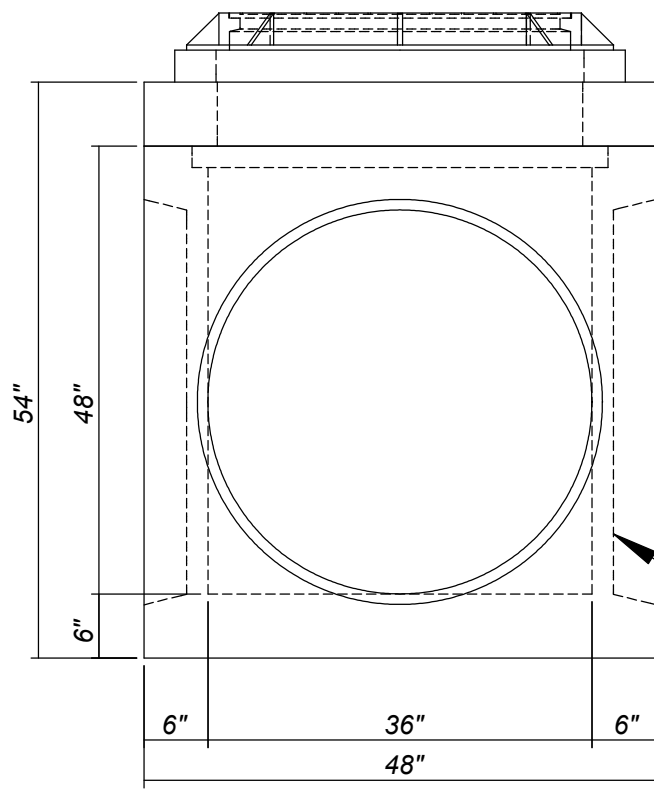
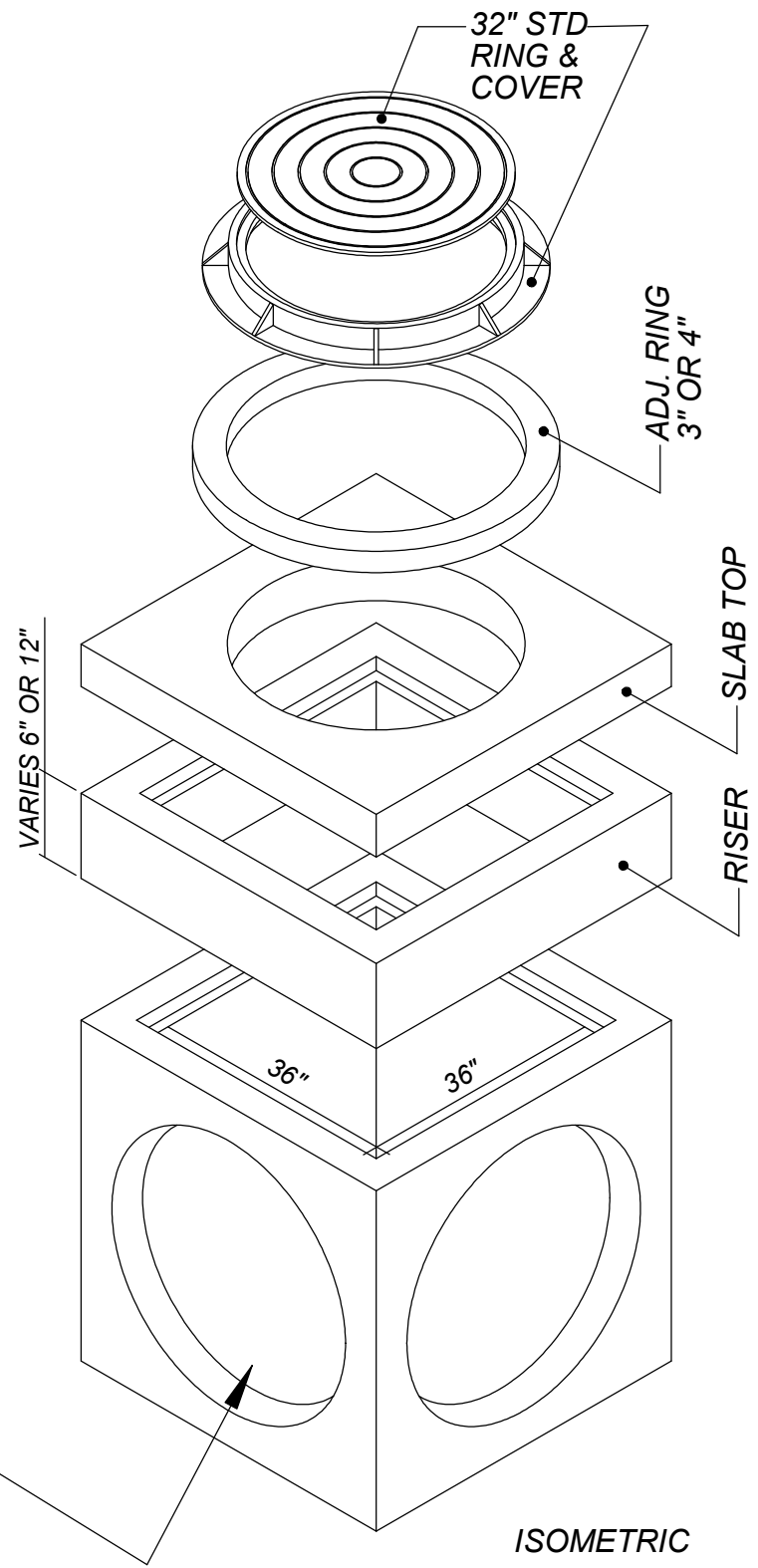


PLAN



ELEVATION



ISOMETRIC

THIN WALL KNOCK OUTS FOR 24" RCP TYPICAL ALL WALLS

NOTE: GRADE 60 REINFORCEMENT
4500 PSI CONCRETE
H2O LOADING