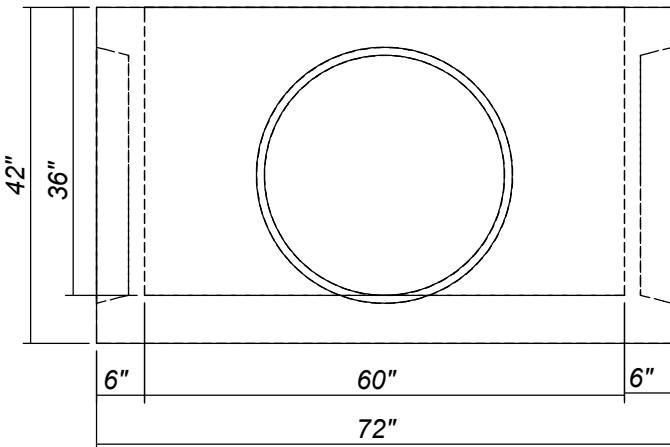
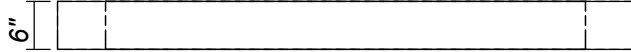
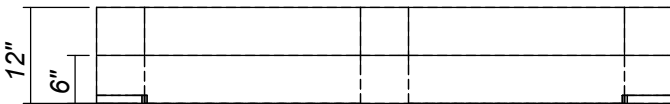
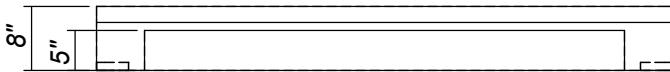
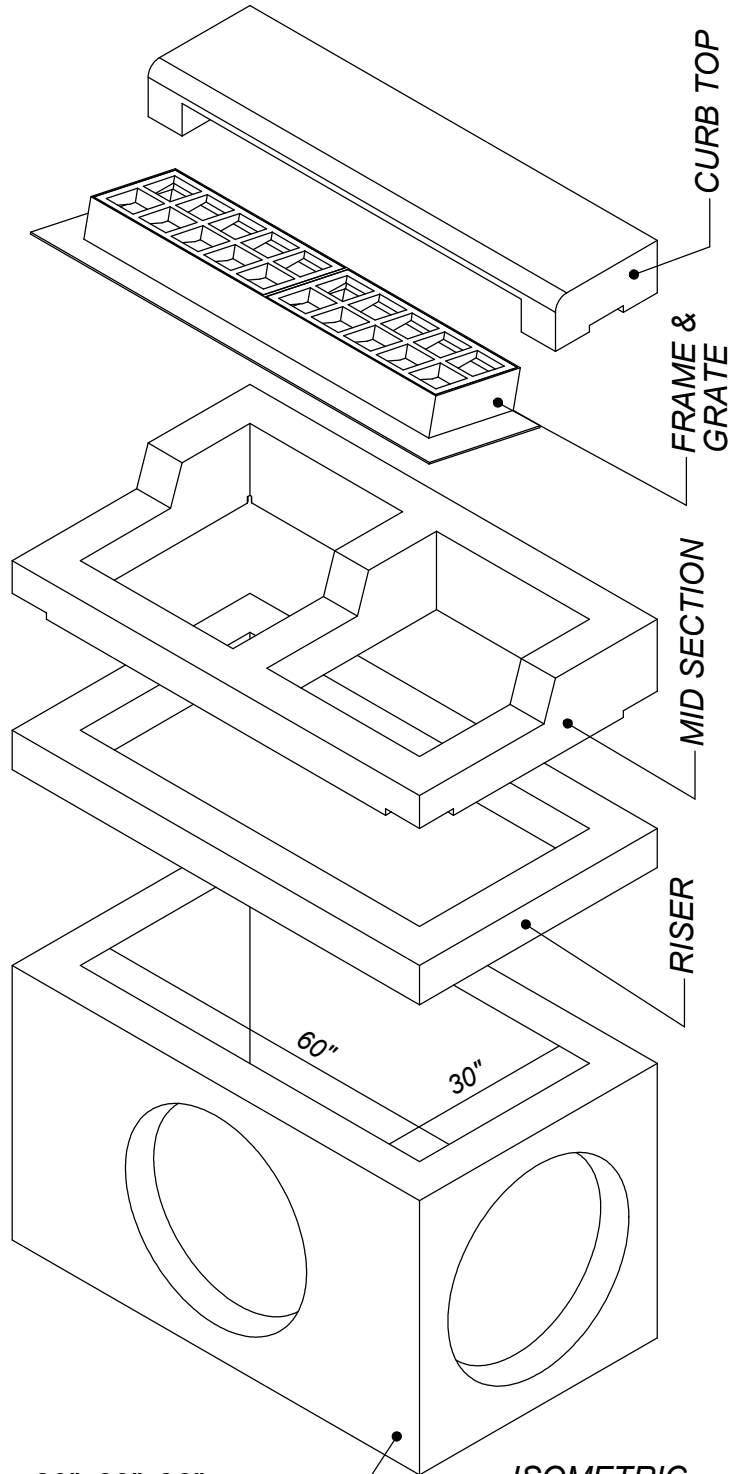


PLAN



ELEVATION



30"x60"x36"  
6" THK WALLS  
KNOCK OUTS  
FOR 24" RCP

ISOMETRIC

NOTE: GRADE 60 REINFORCEMENT  
4500 PSI CONCRETE  
H20 LOADING