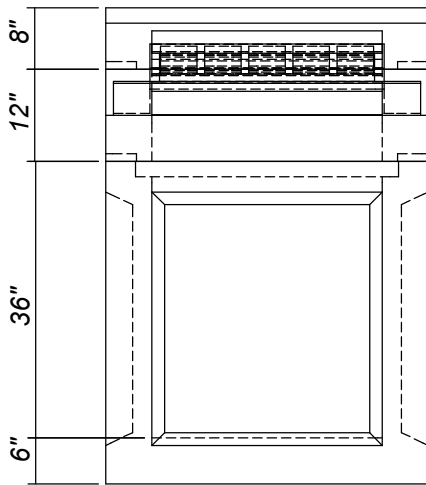
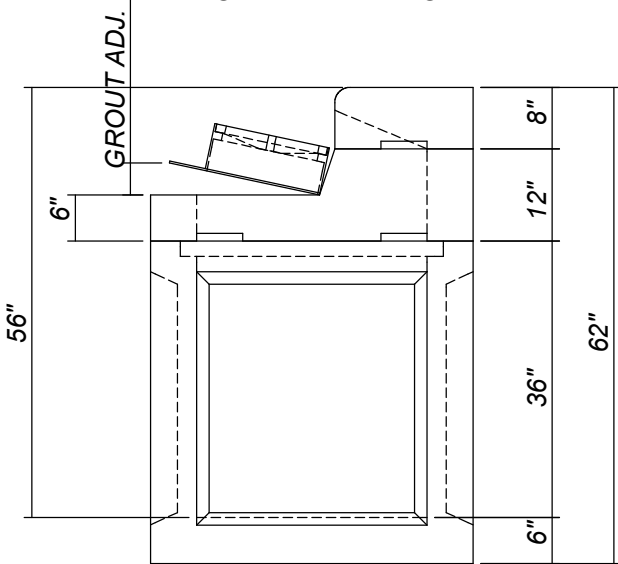


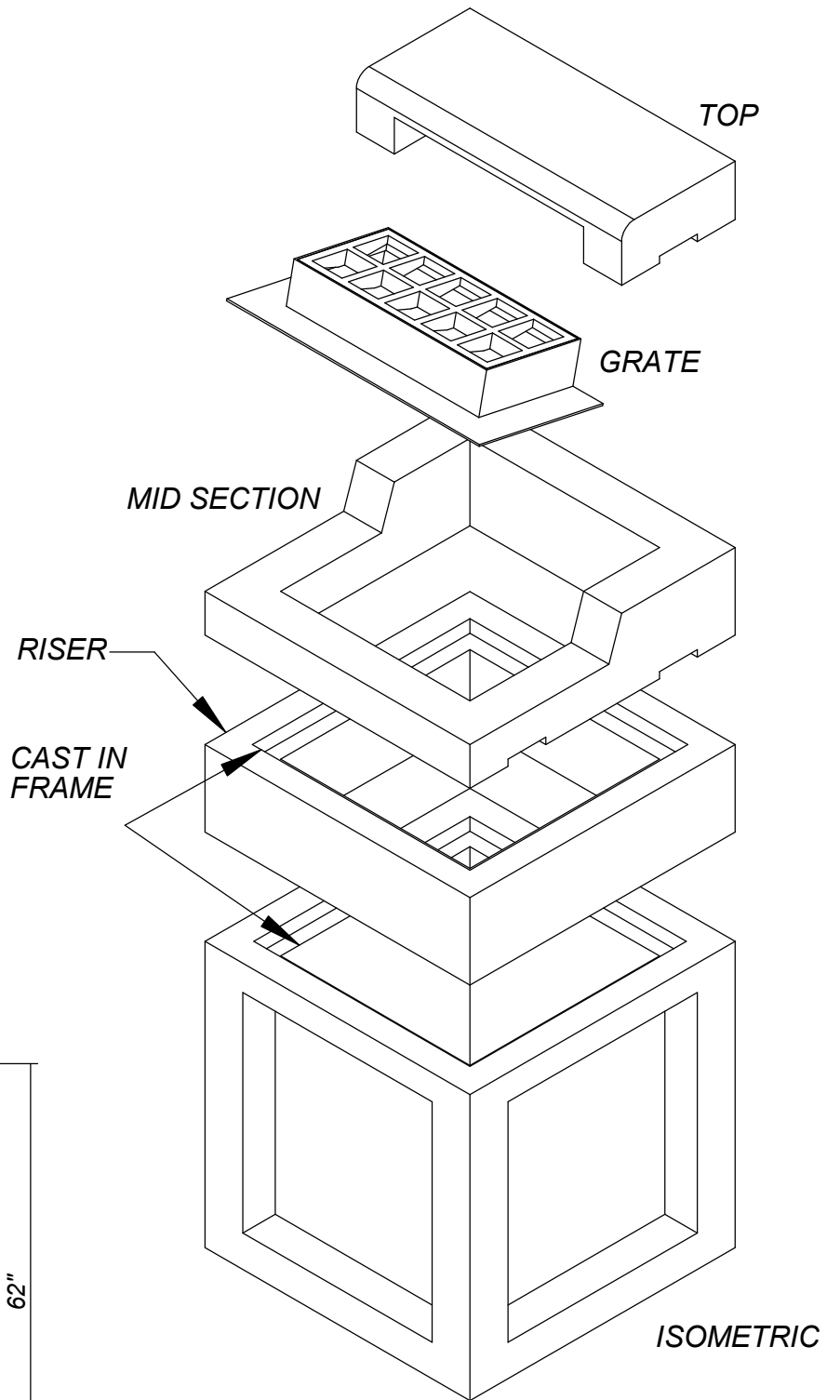
TOP ELEVATION



FRONT ELEVATION



SIDE ELEVATION



NOTE: GRADE 60 REINFORCEMENT
4500 PSI CONCRETE
H20 LOADING