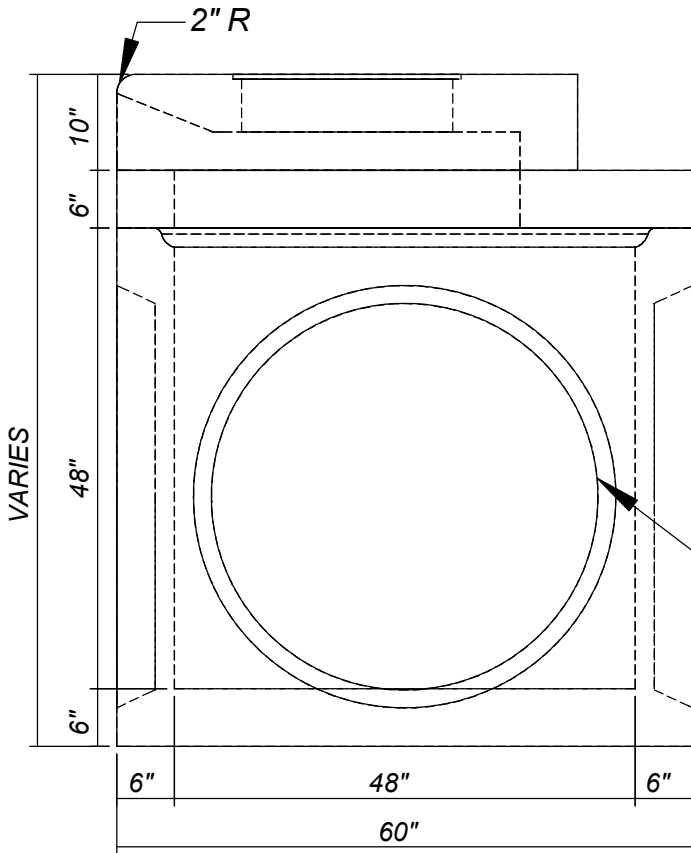
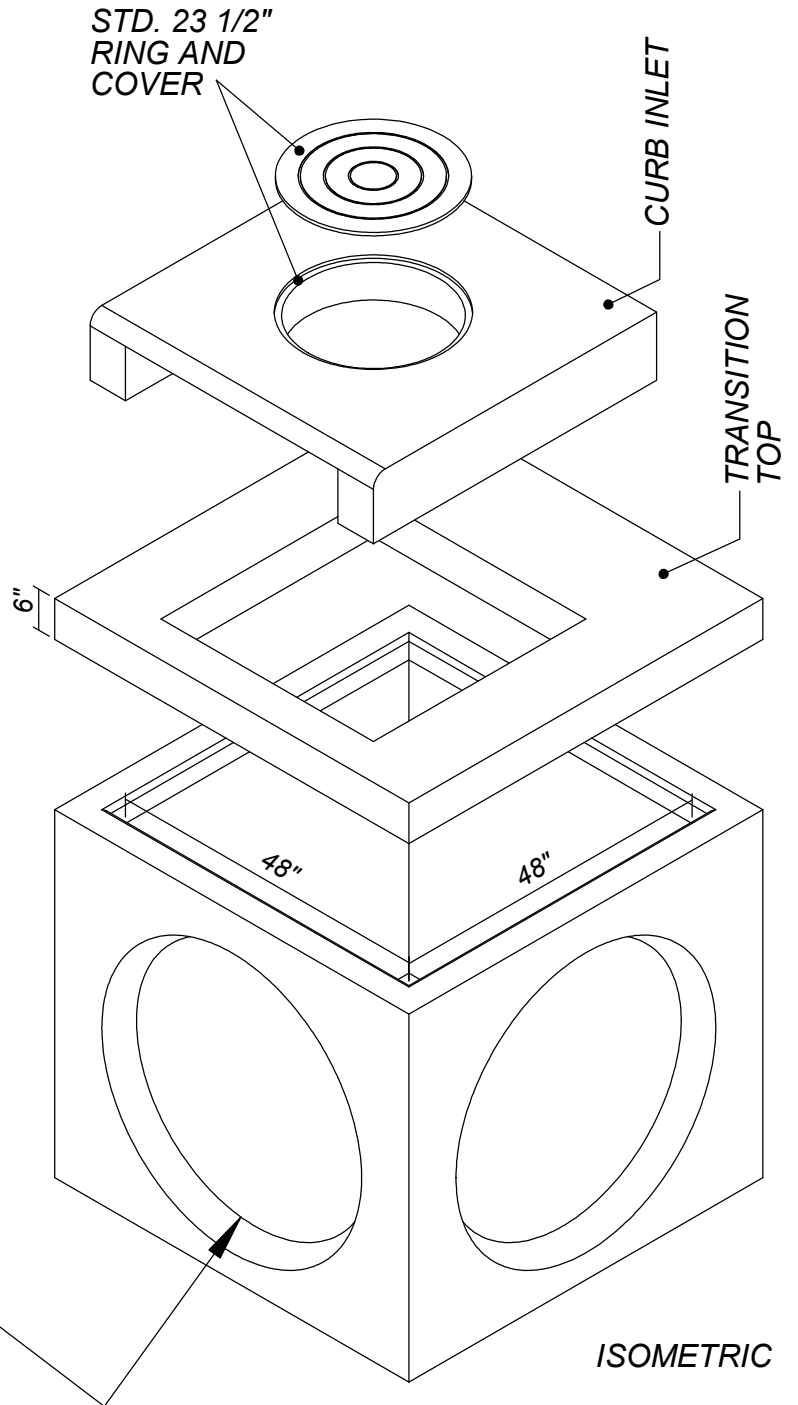


PLAN



ELEVATION



THIN WALL KNOCK OUT
FOR 36" RCP
TYPICALL ALL WALLS

NOTE: GRADE 60 REINFORCEMENT
4500 PSI CONCRETE
H20 LOADING