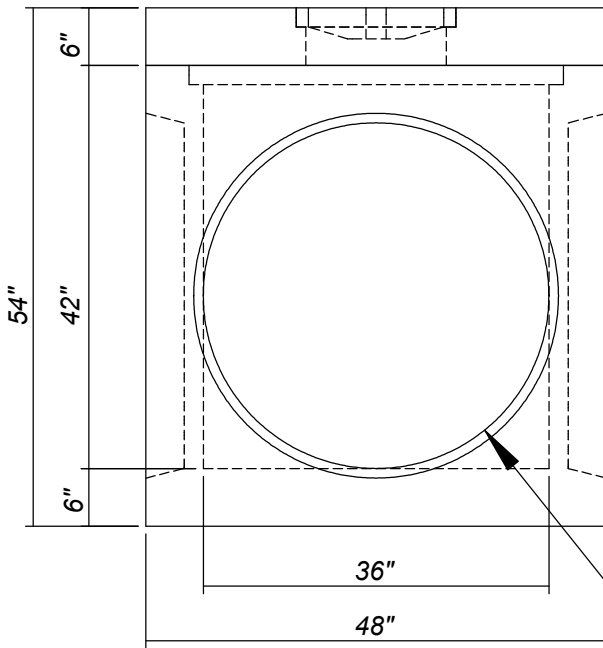
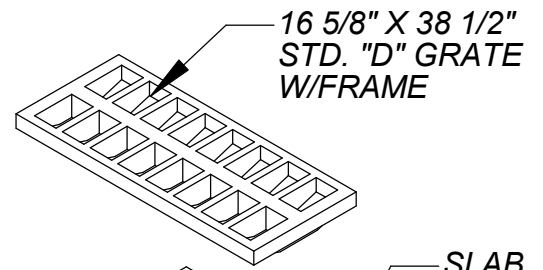


PLAN

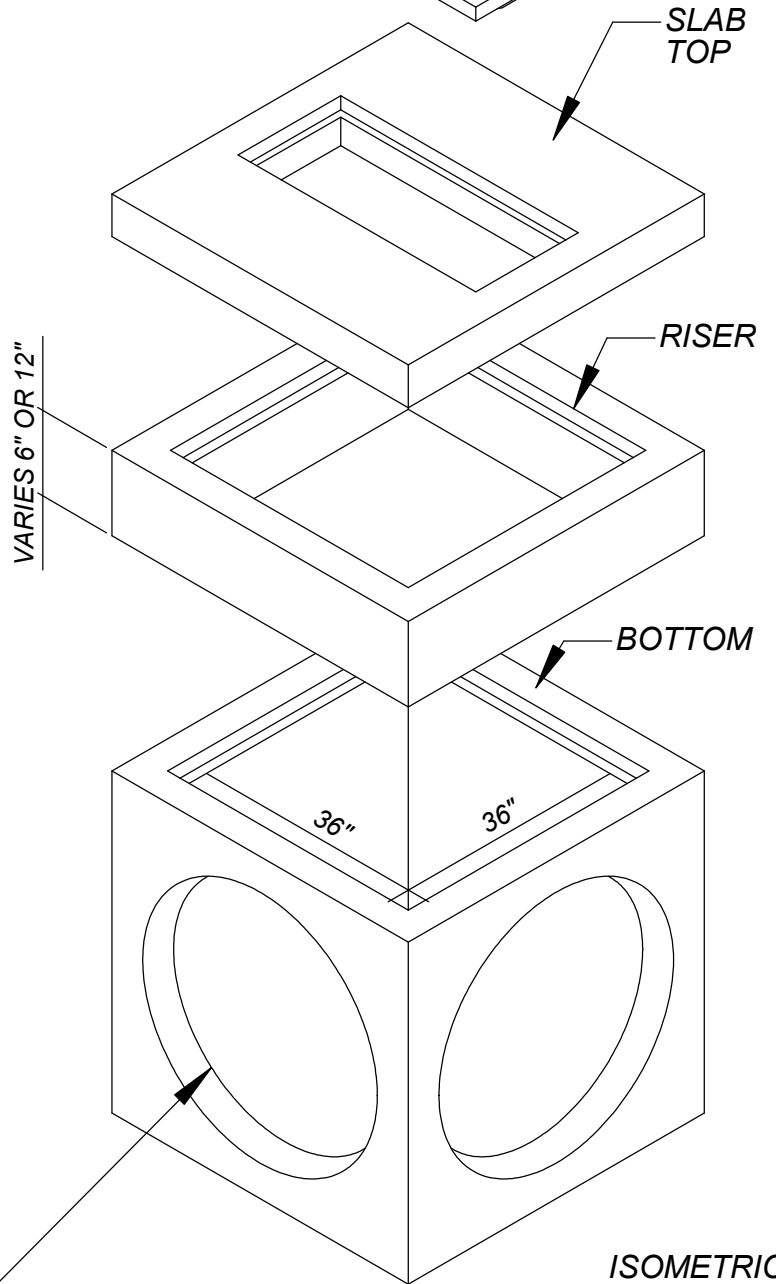


ELEVATION

THIN WALL KNOCK  
OUTS FOR 24" RCP  
TYP. ALL WALLS



16 5/8" X 38 1/2"  
STD. "D" GRATE  
W/FRAME



ISOMETRIC

NOTE: GRADE 60 REINFORCEMENT  
4500 PSI CONCRETE  
H20 LOADING