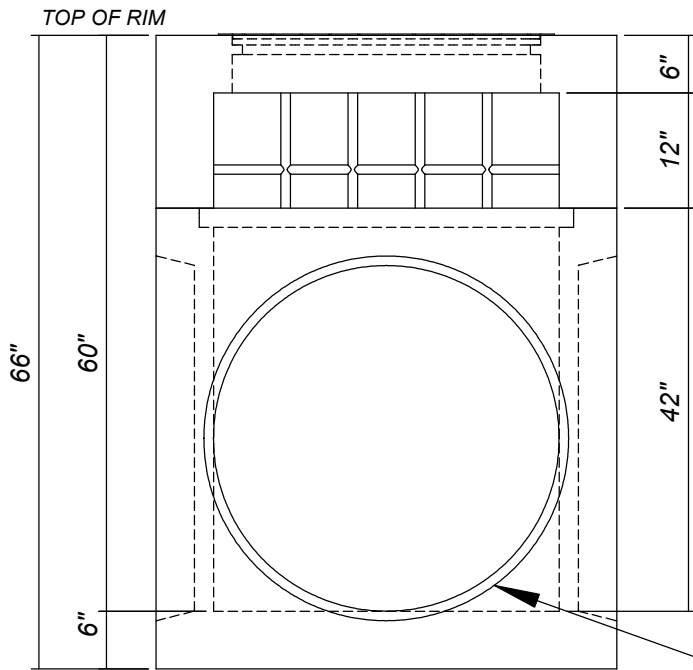
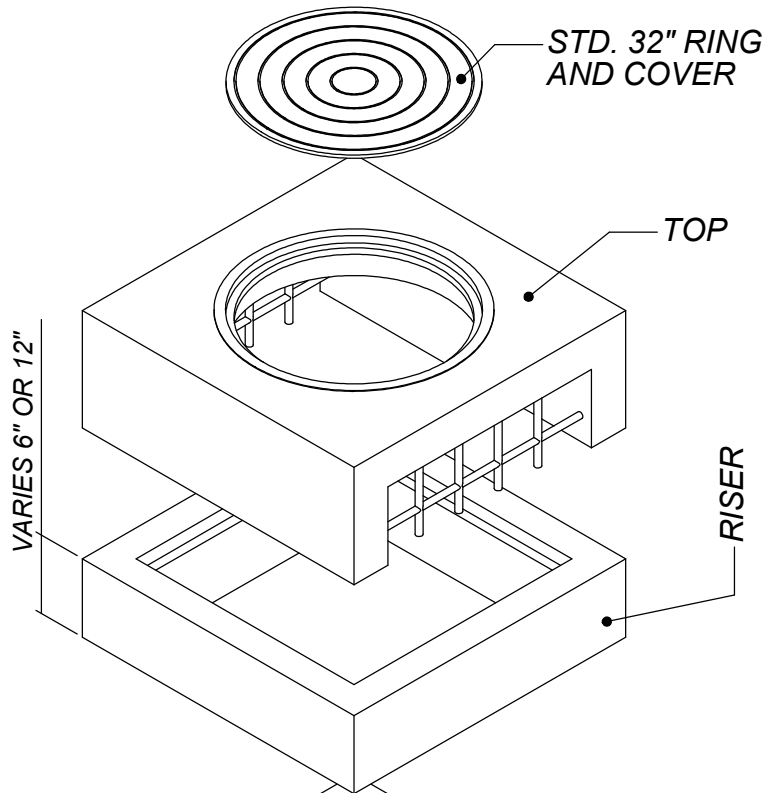
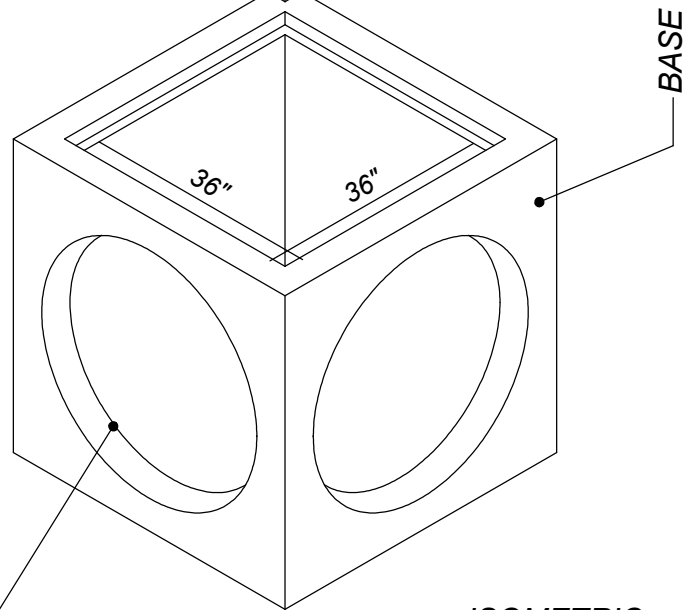


PLAN



ELEVATION



ISOMETRIC

THIN WALL KNOCK
OUTS FOR 24" RCP
TYP. ALL WALLS

NOTE: GRADE 60 REINFORCEMENT
4500 PSI CONCRETE
H20 LOADING